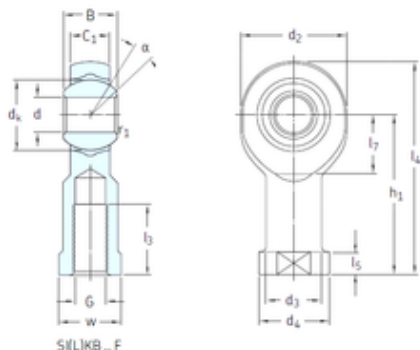




SKF SILKB6F plain bearings



Bearing No. SILKB6F

Bore Diameter	6 mm
d	6 mm
d2 max.	21 mm
d3	10 mm
d4 max.	14 mm
dk	12,7 mm
h1	30 mm
l3 min.	9 mm
l4 max.	41 mm
l5	5 mm
l7 min.	10 mm
r1 min.	0,3 mm
B	9 mm
C1 max	6,75 mm
w	11 Tolerance h14
Thread (G)	M6 Tolerance 6H
Angle	13 °
Weight	0,028 Kg
Basic dynamic load rating (C)	4,25 kN

SILKB6F Bearing 2D drawings and 3D CAD models